

SERVICE MANUAL

FULLY AUTOMATIC
DD TURNTABLE

SANSUI P-L35

(Silver & Black Model)



CAUTION

1. Parts identified by the Δ symbol on the schematic diagram and the parts list are critical for safety. Use only replacement parts that have critical characteristics recommended by the manufacturer.
2. Make leakage-current or resistance measurements to determine that exposed parts are acceptably insulated from the supply circuit before returning the appliance to the customer.

● SPECIFICATIONS

Type	Direct-drive turntable
Rated speeds	33-1/3, 45 rpm
Platter	Aluminum alloy diecast, 306 mm (12-1/16") diameter, 0.75 kg (1.7 lbs.) weight
Motor	Coreless and Brushless DC/FG Servo
Wow/flutter	0.04% (WRMS)
Signal-to-noise ratio	Better than 72 dB (DIN-B) Better than 60 dB (IEC-B)
Effective tonearm length	140 mm (5-1/2")
Power voltage	110 ~ 120/220 ~ 240 V (50/60 Hz)
For U.S.A. and Canada	120 V (60 Hz)
Power consumption	20 W
Dimensions	430 mm (16-29/32") W 95 mm (3-3/4") H 374 mm (14-23/32") D
Weight	5.6 kg (12.4 lbs.) net 6.7 kg (14.7 lbs.) packed

Specifications of the cartridge (applicable only to the units with cartridge)

Model SV-P313

Type	Dual Magnet type
Output voltage	2.5 mV (1,000 Hz, 35.4 mm/sec)
Correct load impedance	47 kohms
Frequency response	20 ~ 20,000 Hz
Stylus	0.6 mil diamond stylus (SN-P313 replacement stylus)

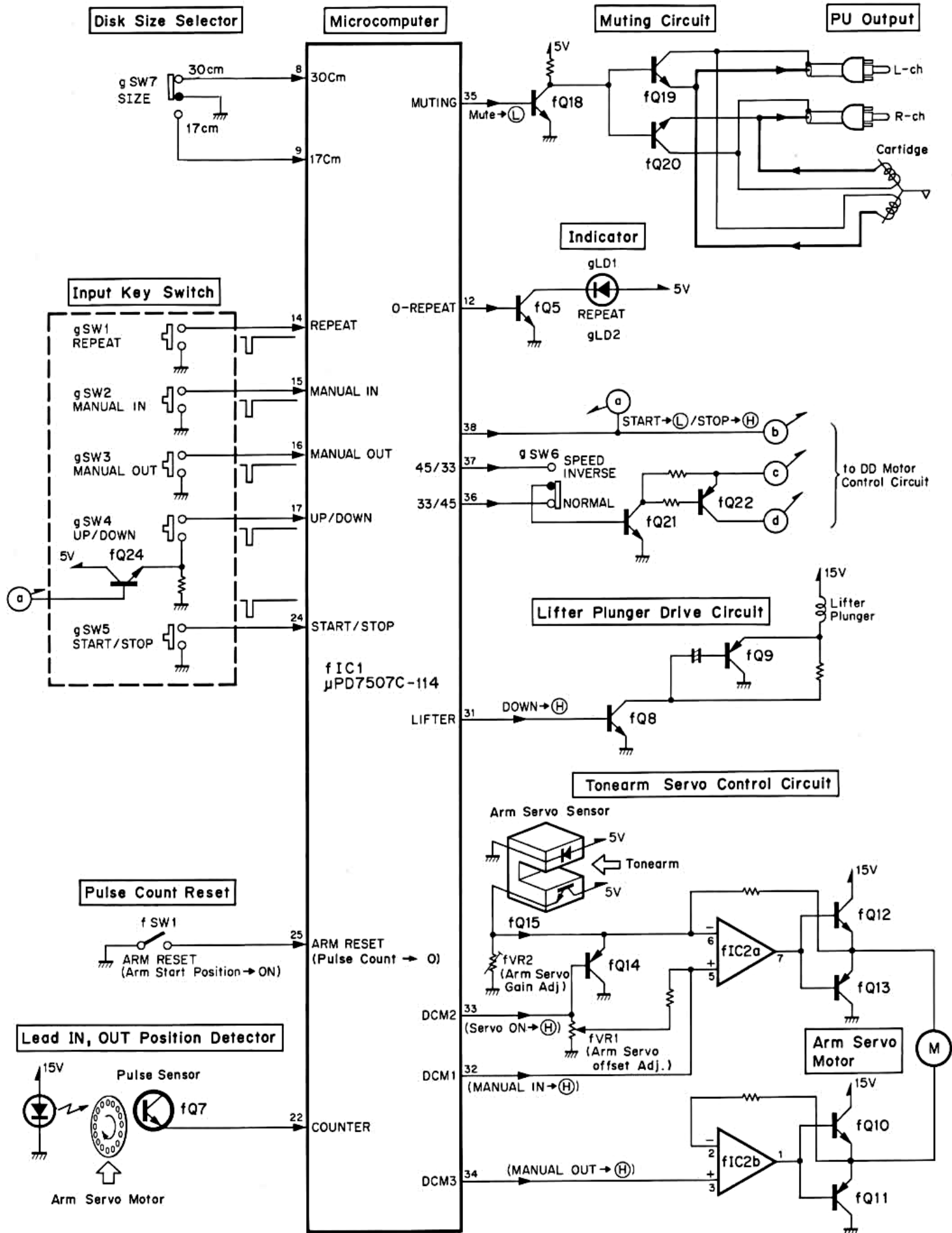
- Design and specifications subject to change without notice for improvements.
- Due to local laws and regulations, this unit sold in some areas are not equipped with variable voltage selectors.

Sansui

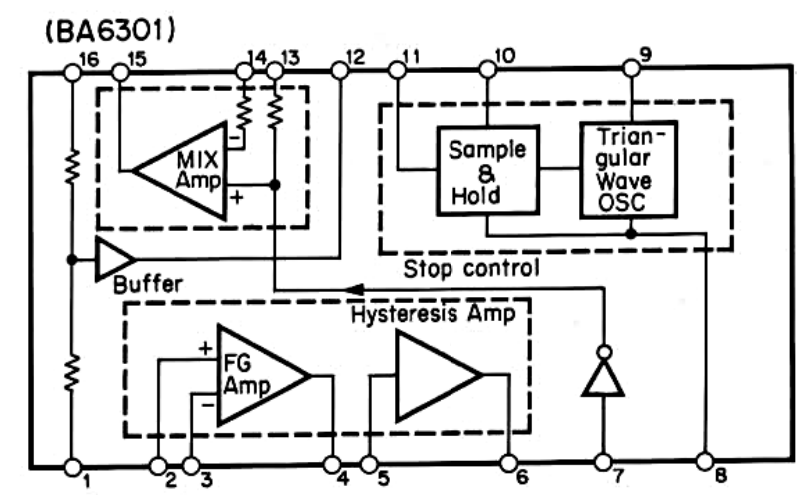
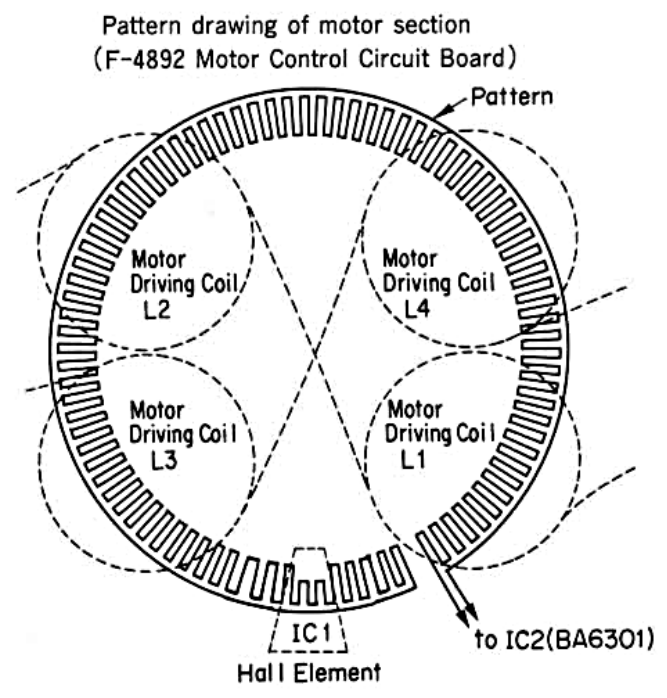
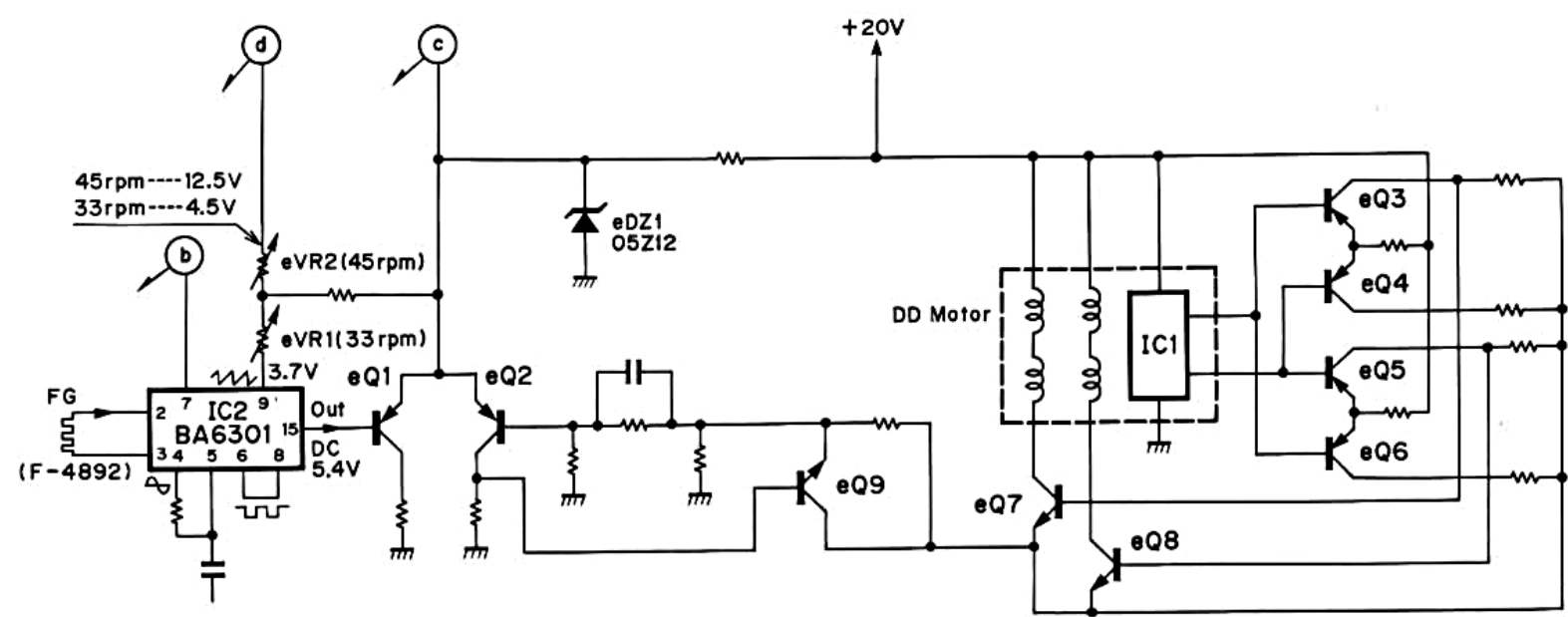
SANSUI ELECTRIC CO., LTD.

1. BLOCK DIAGRAM

1-1. Logic Control Section



1-2. DD Motor Control Section

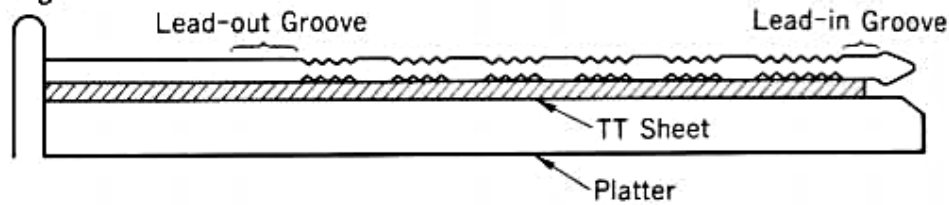


2. ADJUSTMENT

2-1. Lead-in operation adjustment

- 1) Perform the lead-in operation with a 30cm record disk having a narrow lead-in groove, and adjust the lead-in adjusting cam (See Fig. 2-3) so that the stylus tip comes down to the center of the lead-in groove.
- 2) Perform the lead-out operation and check that the stylus tip is lifted up at the lead-out groove.
- 3) Perform the lead-in operation with a 17cm record disk having a narrow lead-in groove, and check that the stylus tip comes down to the lead-in groove.

Fig. 2-1

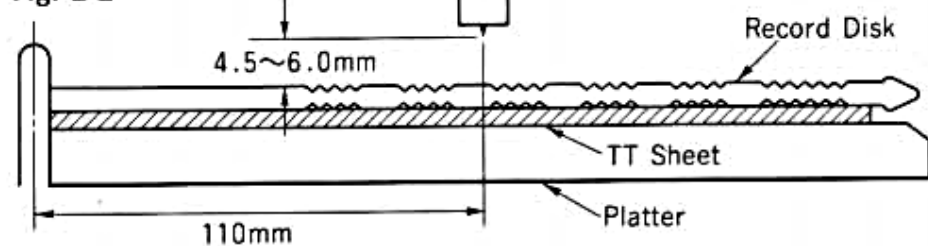


2-2. Tonearm height adjustment

* Before adjustment, remove the player case cover.

- 1) Move the tonearm by manual operation so that the stylus tip is positioned at approx. 110mm away from the center of the platter.
- 2) Adjust the tonearm height adjusting screw (See Fig. 2-4) so that the clearance between the record disk and the stylus tip is within 4.5~6.0mm.

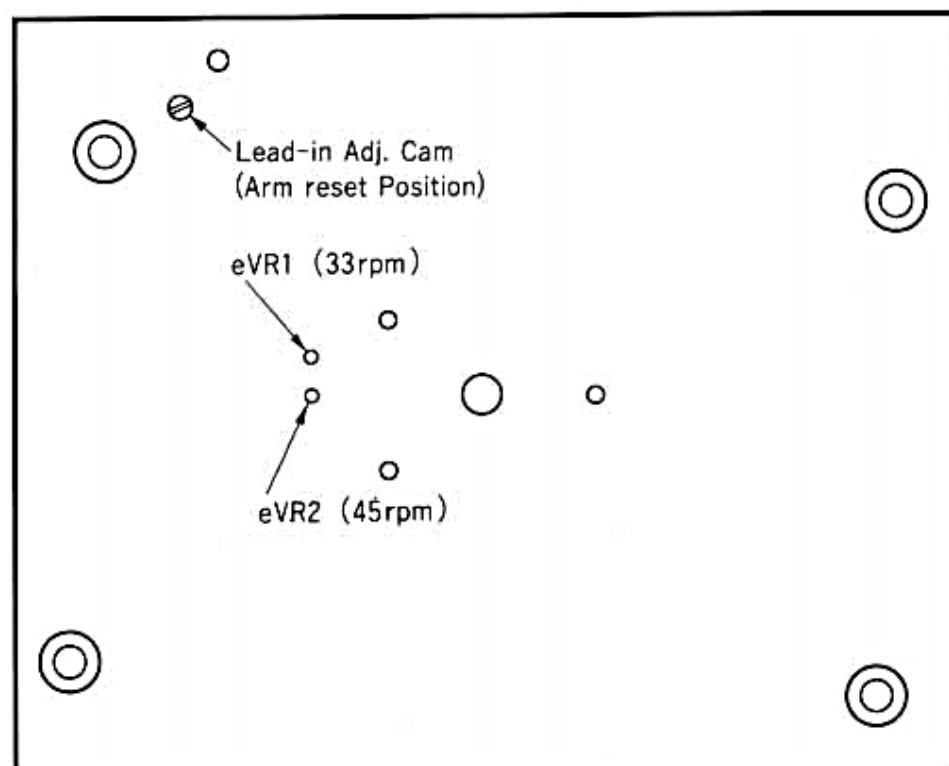
Fig. 2-2



2-3. Speed adjustment (Refer to Fig. 2-3.)

- 1) Set the speed to 33 rpm and adjust the eVR1 on the F-4892 DD motor control board using a small screwdriver so that the 33 rpm strobo pattern is seen to stop.
- 2) Set the speed to 45 rpm and adjust the eVR2 on the F-4892 DD motor control board using a small screwdriver so that the 45 rpm strobo pattern is seen to stop.

Fig. 2-3 Bottom View



2-4. Arm servo adjustment

* Before adjustment, remove the cabinet.

- 1) Connect a DC voltmeter between point (A) and GND. (See Fig. 2-5)
- 2) Move the tonearm by manual operation so that the stylus tip is positioned at approx. 110mm away from the center of the platter.
- 3) Move the cartridge portion of the tonearm rightward by hand until it will stop, and adjust fVR2 (Fig. 2-5) so that the reading of the DC voltmeter is $3.0 \pm 0.2V$.
- 4) Turn fVR1 (Fig. 2-5) fully counterclockwise.
- 5) Place a spacer (approx. 4mm in height) under the arm lifter.
- 6) Press the START/STOP key to rotate the DD motor.
- 7) Press the UP/DOWN key to lower the tonearm, and turn fVR1 gradually clockwise and stop turning when the tonearm starts moving leftward.
- 8) Actually play a music positioned approx. 110mm away from the center of the 30cm record disk. Press the UP/DOWN key several times, and check that the stylus tip moves up and down vertically. If the stylus tip moves slightly rightward (or leftward), turn fVR1 a little clockwise (or counterclockwise).

Fig. 2-4

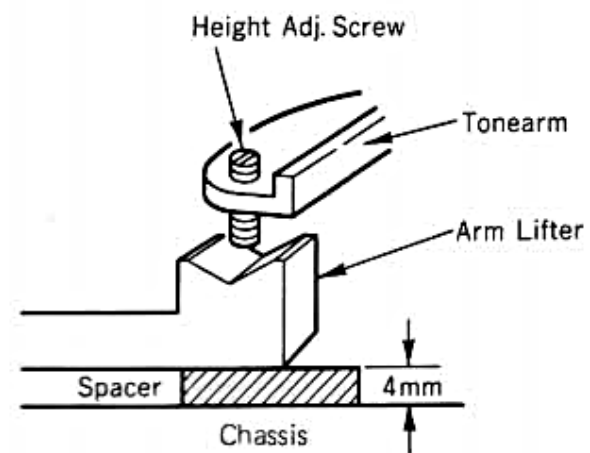
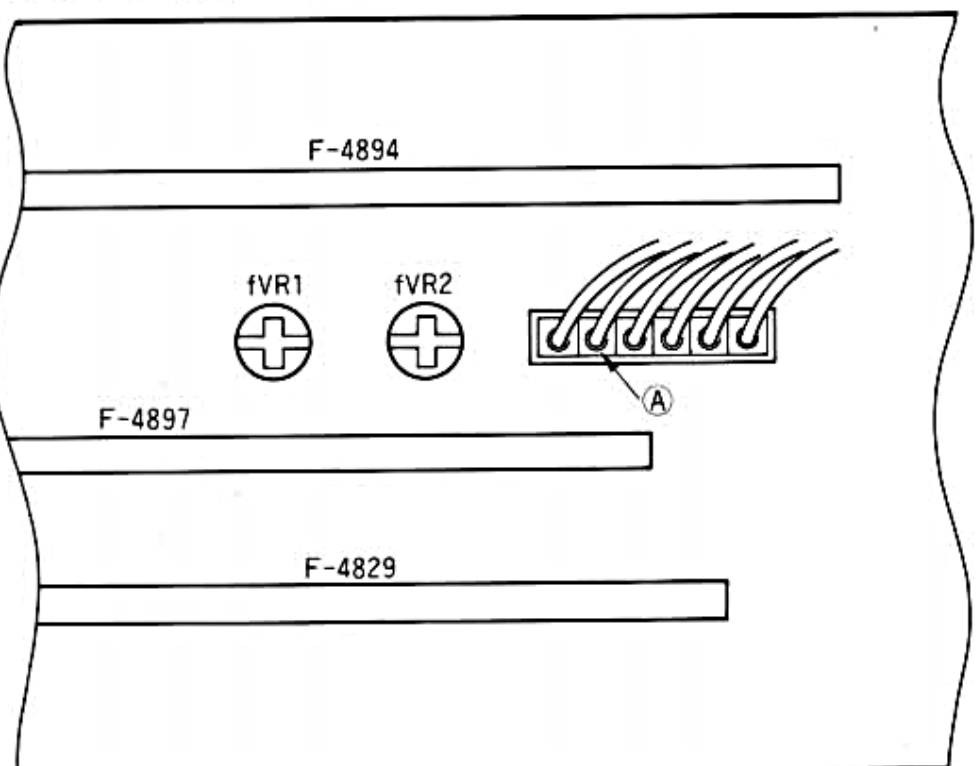


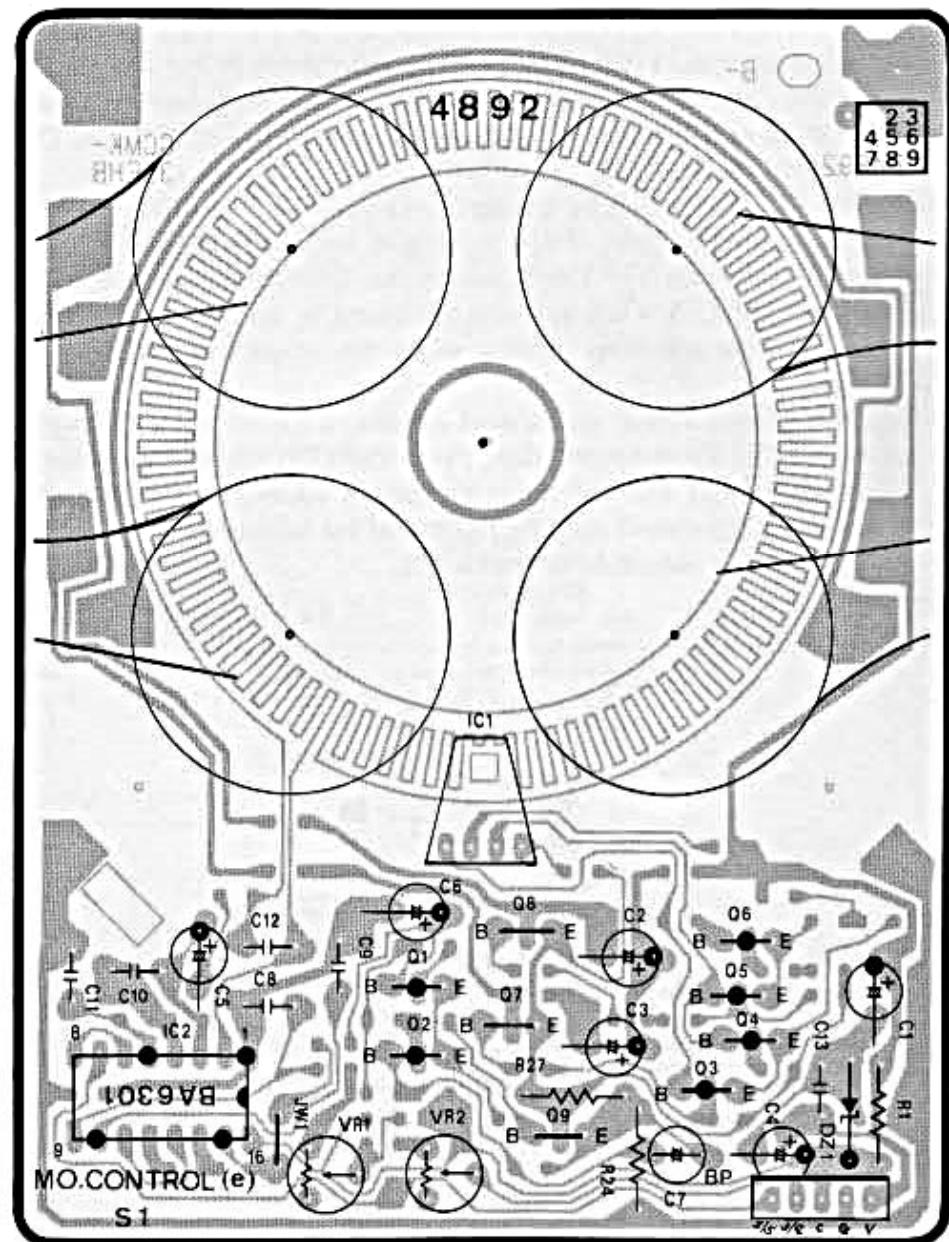
Fig. 2-5 F-4930



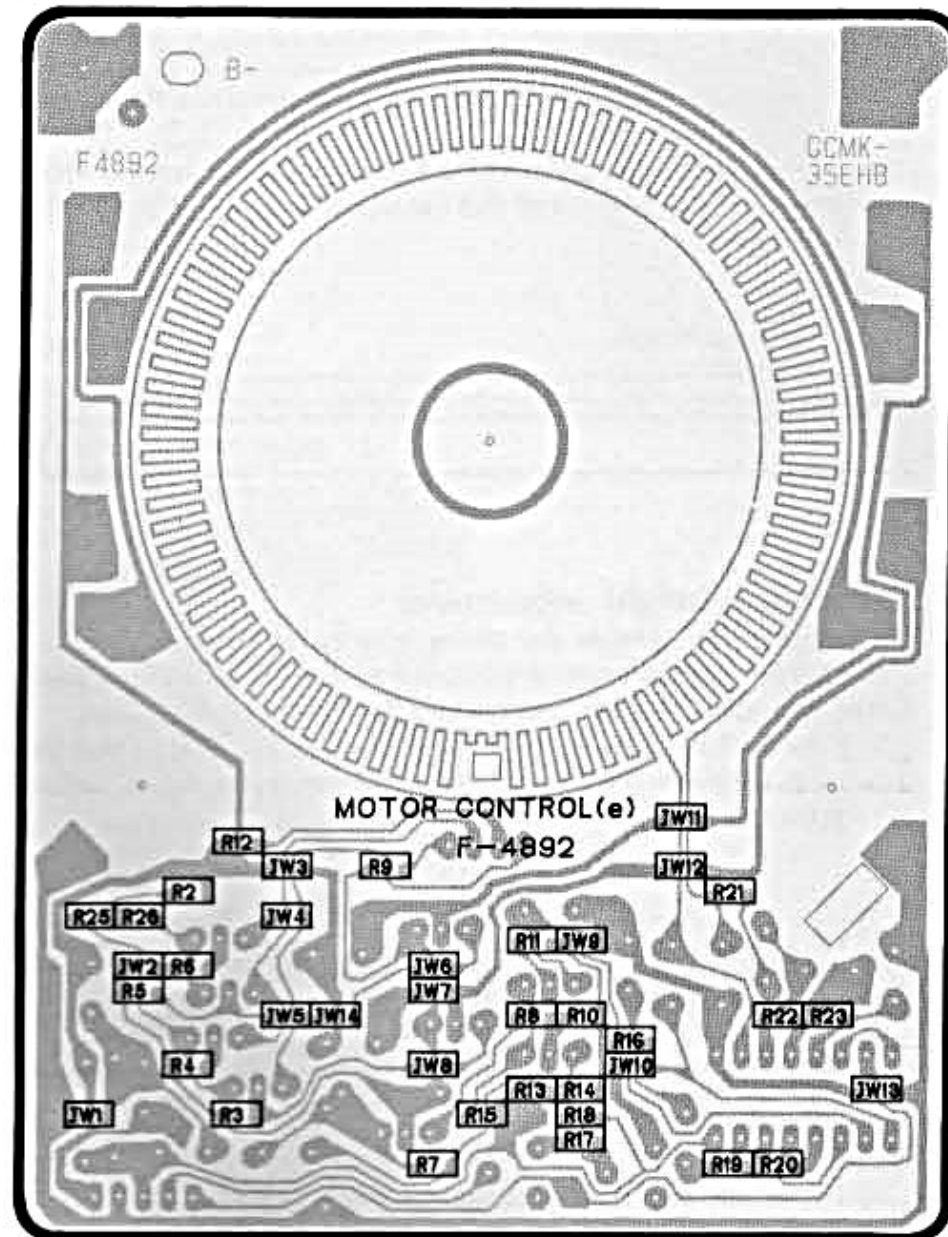
3. PARTS LOCATION & PARTS LIST

3-1. F-4892 DD Motor Control Board

Component Side



Pattern Side (Chip Parts)



Parts List

Parts No.	Stock No.	Description
• Transistor		
eQ1	46367001	2SA1115
	or 46367201	2SA1048
	or 46392001	2SA1175
	or 48058601	2SA933S
eQ2	46367001	2SA1115
	or 46367201	2SA1048
	or 46392001	2SA1175
	or 48058601	2SA933S
eQ3	46367001	2SA1115
	or 46367201	2SA1048
	or 46392001	2SA1175
	or 48058601	2SA933S
eQ4	46367001	2SA1115
	or 46367201	2SA1048
	or 46392001	2SA1175
	or 48058601	2SA933S
eQ5	46367001	2SA1115
	or 46367201	2SA1048
	or 46392001	2SA1175
	or 48058601	2SA933S
eQ6	46367001	2SA1115
	or 46367201	2SA1048
	or 46392001	2SA1175
	or 48058601	2SA933S
eQ7	46359801	2SC2001
	or 46614101	2SC3243
	or 48000901	2SC2060
eQ8	46359801	2SC2001
	or 46614101	2SC3243
	or 48000901	2SC2060
eQ9	03083901	2SD313AL
	or 46546701	2SD880

Parts No.	Stock No.	Description
• IC		
eIC1	46354301	HW-301C-Q
	or 46354302	HW-301C-R
eIC2	46354400	BA6301
• Zener Diode		
eDZ1	46103700	05Z12-Y
eJW1 ~ 13	46741100	Cross Conductor (Chip)
Δ eR1	46229900	560 Ω 1/2W N.I.R.
eR2	46747400	820 Ω 1/8W Chip R.
eR3	46749200	4.7 KΩ 1/8W Chip R.
eR4	46749200	4.7 KΩ 1/8W Chip R.
eR5	46749200	4.7 KΩ 1/8W Chip R.
eR6	46749200	4.7 KΩ 1/8W Chip R.
eR7	46750000	10 KΩ 1/8W Chip R.
eR8	46747600	1 KΩ 1/8W Chip R.
eR9	46747600	1 KΩ 1/8W Chip R.
eR10	46747600	1 KΩ 1/8W Chip R.
eR11	46747600	1 KΩ 1/8W Chip R.
eR12	46747300	750 Ω 1/8W Chip R.
eR13	46749100	4.3 KΩ 1/8W Chip R.
eR14	46751500	43 KΩ 1/8W Chip R.
eR15	46747000	560 Ω 1/8W Chip R.
eR16	46752600	120 KΩ 1/8W Chip R.
eR17	46753400	270 KΩ 1/8W Chip R.
eR18	46753300	240 KΩ 1/8W Chip R.
eR19	46750300	13 KΩ 1/8W Chip R.
eR20	46747900	1.3 KΩ 1/8W Chip R.
eR21	46745200	100 Ω 1/8W Chip R.
eR22	46753600	330 KΩ 1/8W Chip R.
eR23	46751600	47 KΩ 1/8W Chip R.

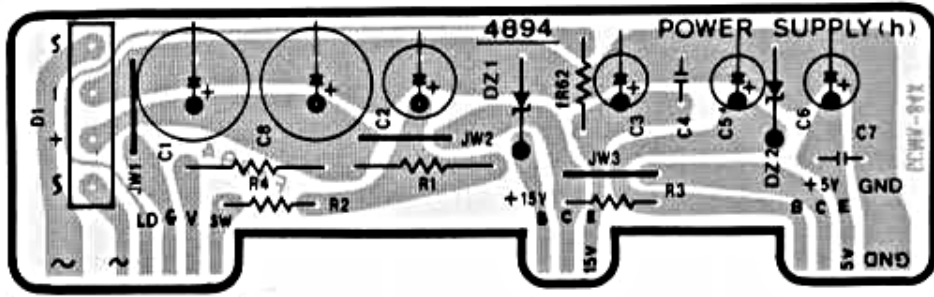
Parts List <F-4892>

Parts No.	Stock No.	Description
△ eR24	46227000	2.2 Ω 1/2W N.I.R.
eR25	46745200	100 Ω 1/8W Chip R.
eR26	46745200	100 Ω 1/8W Chip R.
△ eR27	46230000	680 Ω 1/2W N.I.R.
eC1	46929700	33 μF 25V E.C.
eC2	46929600	22 μF 25V E.C.
eC3	46929600	22 μF 25V E.C.
eC4	46928700	22 μF 16V E.C.

Parts No.	Stock No.	Description
eC5	46929200	4.7 μF 25V E.C.
eC6	46930800	0.22 μF 50V E.C.
eC7	48165000	0.1 μF 50V E.B.
eC8	46284100	0.1 μF 50V F.C.
eC9	46282900	0.01 μF 50V F.C.
eVR1	46634900	100 KΩ S.V.R., 33rpm Adj.
eVR2	46635300	470 KΩ S.V.R., 45rpm Adj.

3-2. F-4894 Power Supply Board (Stock No. 00866001)

Component Side

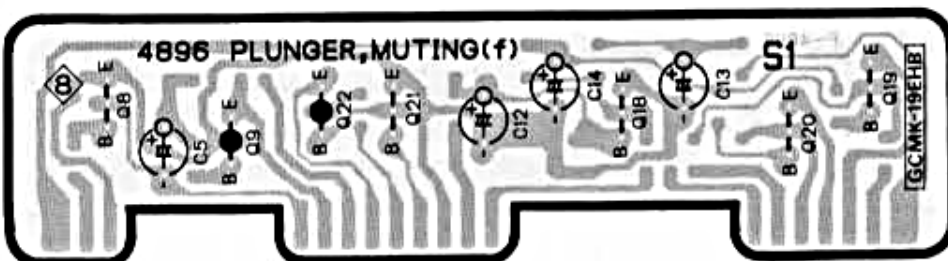


Parts List

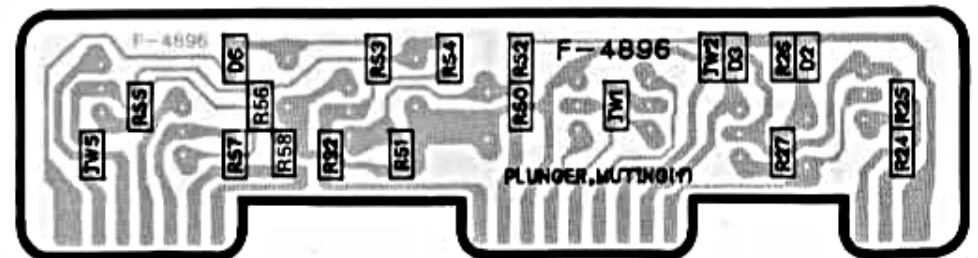
Parts No.	Stock No.	Description
• Diode		
△ hD1	03117000	RB152-LFF
• Zener Diode		
hDZ1	46114600	05Z15-Z
	or 46114700	05Z16-X
hDZ2	46111400	05Z5.6-X
	or 46111500	05Z5.6-Y
△ hR1	46624900	330 Ω 2W N.I.R.
△ hR2	46229000	100 Ω 1/W N.I.R.
△ hR3	46230600	2.2 KΩ 1/W N.I.R.
△ hR4	00116200	4.7 Ω 1/2W F.R.

3-3. F-4896 Lifter Plunger & Muting Driver Board (Stock No. 00866201)

Component Side



Pattern Side (Chip Parts)



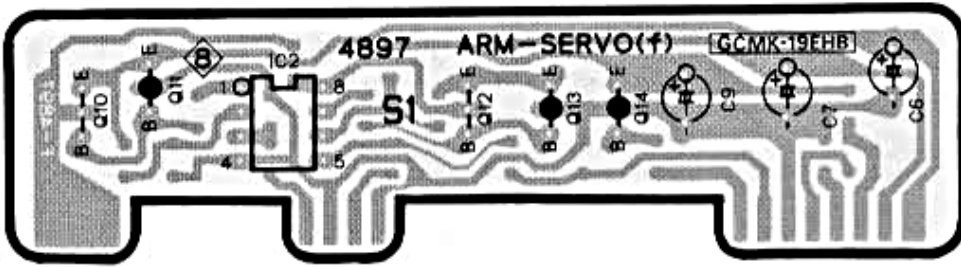
Parts List

Parts No.	Stock No.	Description
• Transistor		
fQ8	46367101	2SC2603
fQ9	46359701	2SA952
	or 46614001	2SA1283
	or 48000801	2SA934
fQ18	46367101	2SC2603
	or 46367301	2SC2458
	or 48058801	2SC1740S
fQ19	46540801	2SC2878
	or 46604301	2SC3327
	or 48055901	2SD1468S
fQ20	46540801	2SC2878
	or 46604301	2SC3327
	or 48055901	2SD1468S
fQ21	48171600	DTC114YS
fQ22	48183400	DTA114YS

Parts No.	Stock No.	Description
• Diode		
fD2	46852000	RLS-73 (Chip)
fD3	46852000	RLS-73 (Chip)
fD6	46852000	RLS-73 (Chip)
fJW1,3,5	46741100	Cross Conductor (Chip)
fR24	46749200	4.7 KΩ 1/8W Chip R.
fR25	46748800	3.3 KΩ 1/8W Chip R.
fR26	46751600	47 KΩ 1/8W Chip R.
fR27	46745200	100 Ω 1/8W Chip R.
△ fR28	46249600	180 Ω 1W N.I.R.
fR50	46750000	10 KΩ 1/8W Chip R.
fR51	46748400	2.2 KΩ 1/8W Chip R.
fR52	46752400	100 KΩ 1/8W Chip R.
fR53	46749200	4.7 KΩ 1/8W Chip R.
fR54	46750000	10 KΩ 1/8W Chip R.
fR55	46751000	27 KΩ 1/8W Chip R.
fR56	46751000	27 KΩ 1/8W Chip R.
fR57	46742800	10 Ω 1/8W Chip R.
fR58	46742800	10 Ω 1/8W Chip R.

3-4. F-4897 Tonearm Servo Board (Stock No. 00866301)

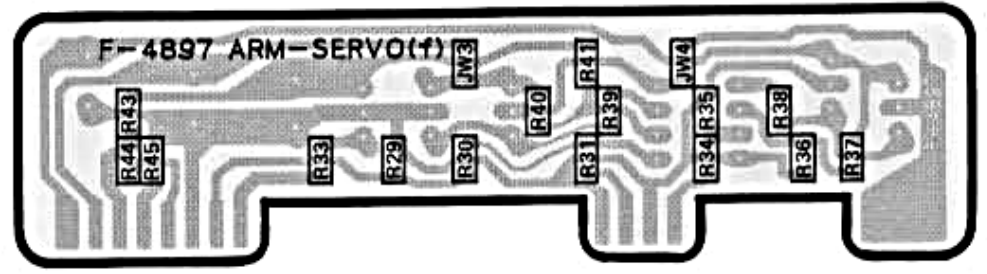
Component Side



Parts List

Parts No.	Stock No.	Description
• Transistor		
fQ10	46359801	2SC2001
	or 46614101	2SC3243
	or 48000901	2SC2060
fQ11	46359701	2SA952
	or 46614001	2SA1283
	or 48000801	2SA934
fQ12	46359801	2SC2001
	or 46614101	2SC3243
	or 48000901	2SC2060
fQ13	46359701	2SA952
	or 46614001	2SA1283
	or 48000801	2SA934
fQ14	46367001	2SA1115
	or 46367201	2SA1048
	or 48058601	2SA933S
• IC		
fIC2	46173100	NJM2904D
	or 48163600	BA728

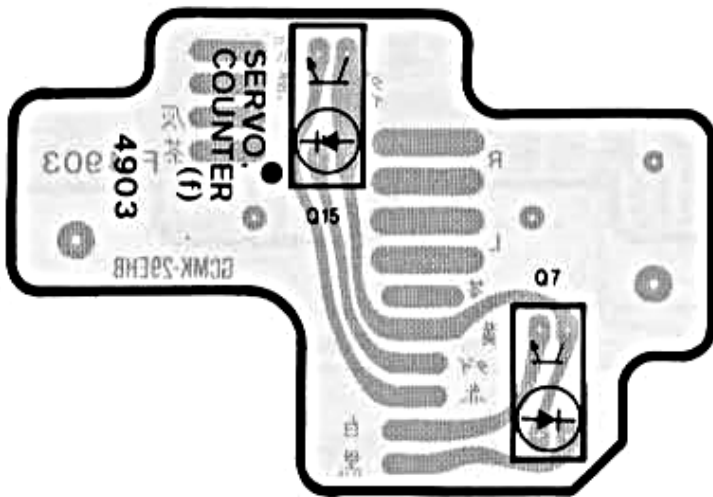
Pattern Side (Chip Parts)



Parts No.	Stock No.	Description
fJW3,4	46741100	Cross Conductor (Chip)
fR29	46750000	10 K Ω 1/8W Chip R.
fR30	46751400	39 K Ω 1/8W Chip R.
fR31	46750000	10 K Ω 1/8W Chip R.
fR33	46750000	10 K Ω 1/8W Chip R.
fR34	46751400	39 K Ω 1/8W Chip R.
fR35	46750000	10 K Ω 1/8W Chip R.
fR36	46750000	10 K Ω 1/8W Chip R.
fR37	46753200	220 K Ω 1/8W Chip R.
fR38	46745200	100 Ω 1/8W Chip R.
fR39	46745200	100 Ω 1/8W Chip R.
fR40	46753200	220 K Ω 1/8W Chip R.
fR41	46749400	5.6 K Ω 1/8W Chip R.
fR43	46750400	15 K Ω 1/8W Chip R.
fR44	46747600	1 K Ω 1/8W Chip R.
fR45	46746200	270 Ω 1/8W Chip R.
△ fR90	00112800	4.7 Ω 1/4W F.R.

3-5. F-4903 Pulse Counter & Arm Servo Sensor Board

Component Side

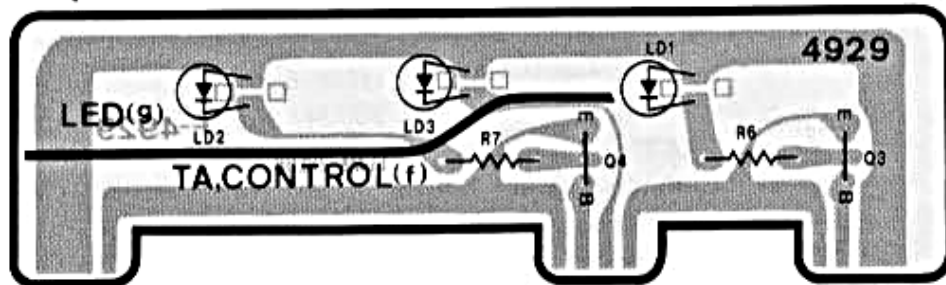


Parts List

Parts No.	Stock No.	Description
fQ7	46395800	Photo Interrupter GP-1S04
fQ15	46938400	Photo Interrupter ON1128

3-6. F-4929 Indicator Board

Component Side

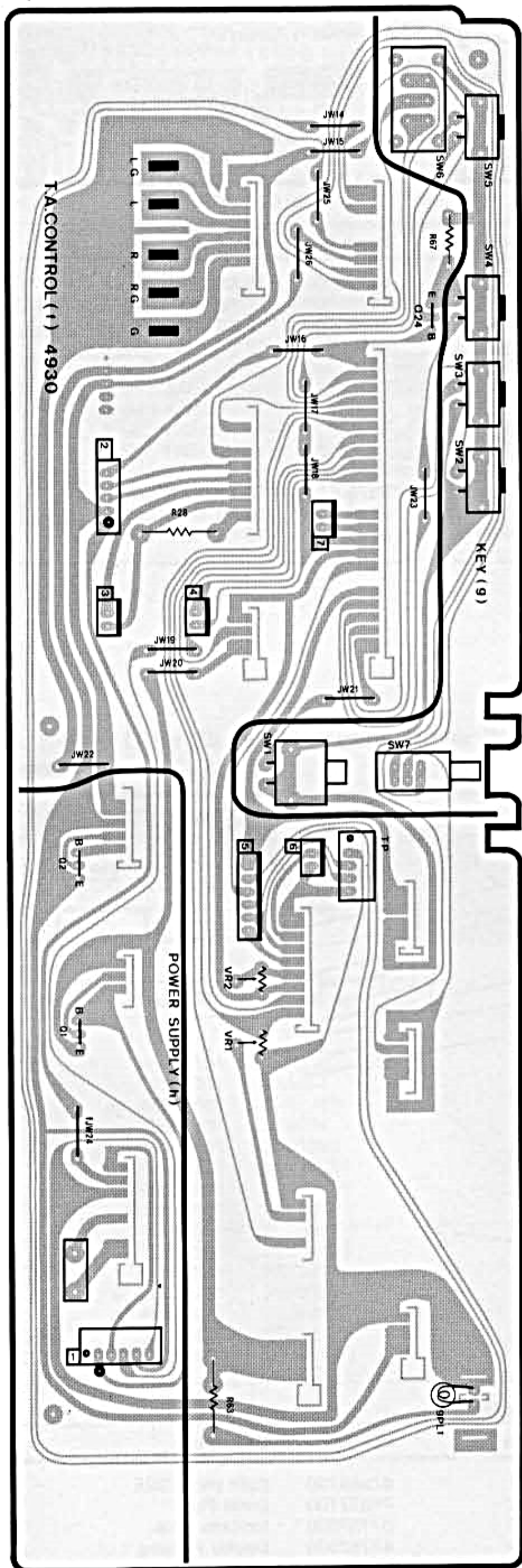


Parts List

Parts No.	Stock No.	Description
• Transistor		
fQ3	48171600	DTC114YS
fQ4	48183400	DTA114YS
• LED		
gLD1	46095200	TLR123, 45rpm
	or 48126300	SEL2210S, 45rpm
gLD2	46095200	TLR123, 33rpm
	or 48126300	SEL2210S, 33rpm

3-7. F-4930 Operation Key Switch Board (Stock No. 00866901)

Component Side

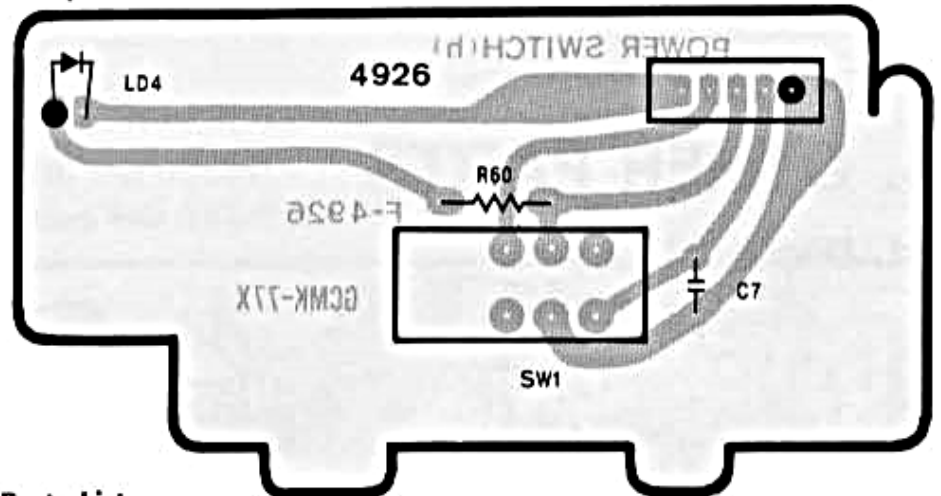


Parts List

Parts No.	Stock No.	Description
Δ fR1	46228500	39 Ω 1/2W N.I.R.
• Transistor fQ24	46367101 or 46367301 or 48058801	2SC2603 2SC2458 2SC1740S
fVR1	46634300	10 KΩ S.V.R., Offset Adj.
fVR2	46634500	22 KΩ S.V.R., Servo Gain Adj.
gSW2	46395900	Push SW., LEFT
gSW3	46395900	Push SW., RIGHT
gSW4	46395900	Push SW., UP/DOWN
gSW5	46395900	Push SW., START/STOP
gSW6	46133600	Slide SW., SPEED
gSW7	48177500	Push SW., SIZE
• Transistor Δ hQ1	03083901	2SD313AL
Δ hQ2	or 46546701	2SD880
Δ hQ2	03083901	2SD313AL
Δ hQ2	or 46546701	2SD880

3-8. F-4926 Power Switch Board (EU model only)

Component Side

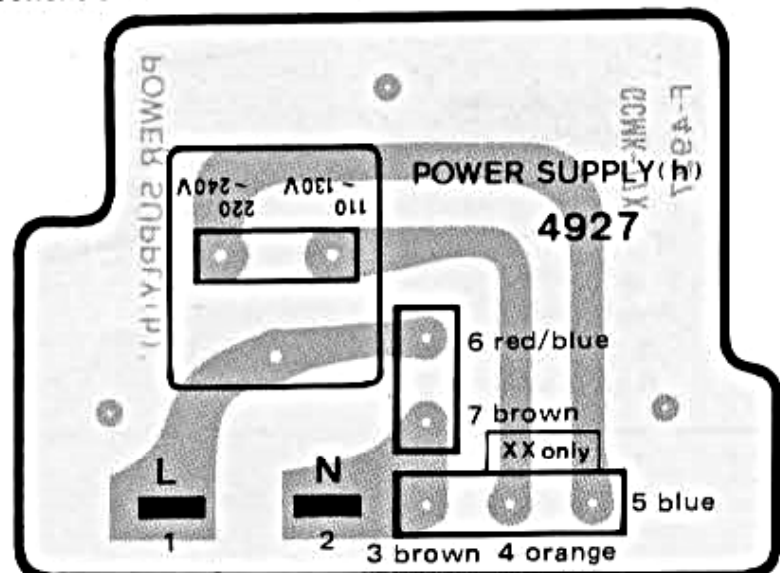


Parts List

Parts No.	Stock No.	Description
• LED gLD4	46095200 or 48126300	TLR123, STAND-BY SEL2210S, STAND-BY
Δ hSW1	48175900	Push SW., POWER

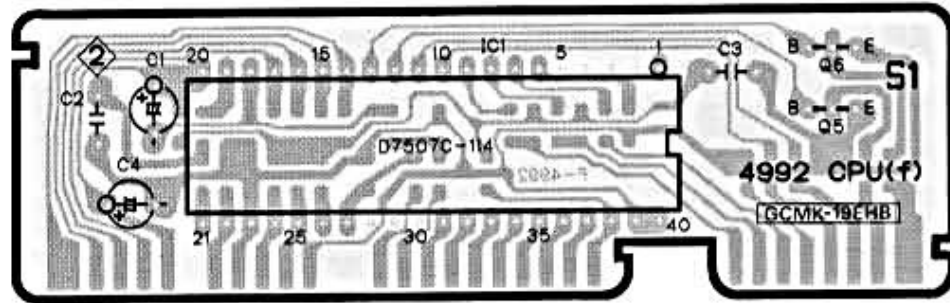
3-9. F-4927 Voltage Selector Board

Component Side

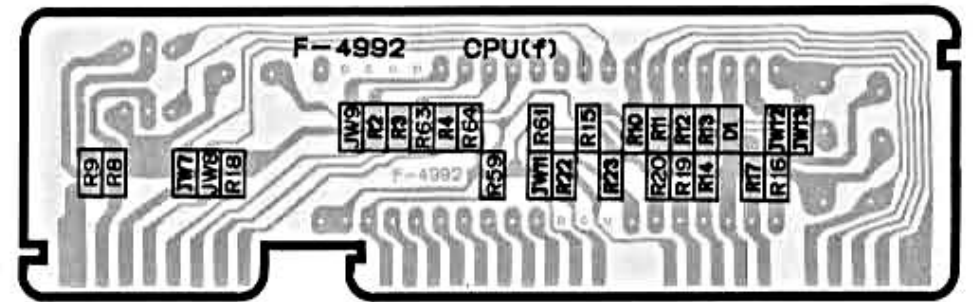


3-10. F-4992 Microcomputer Board (Stock No. 00866101)

Component Side



Pattern Side (Chip Parts)



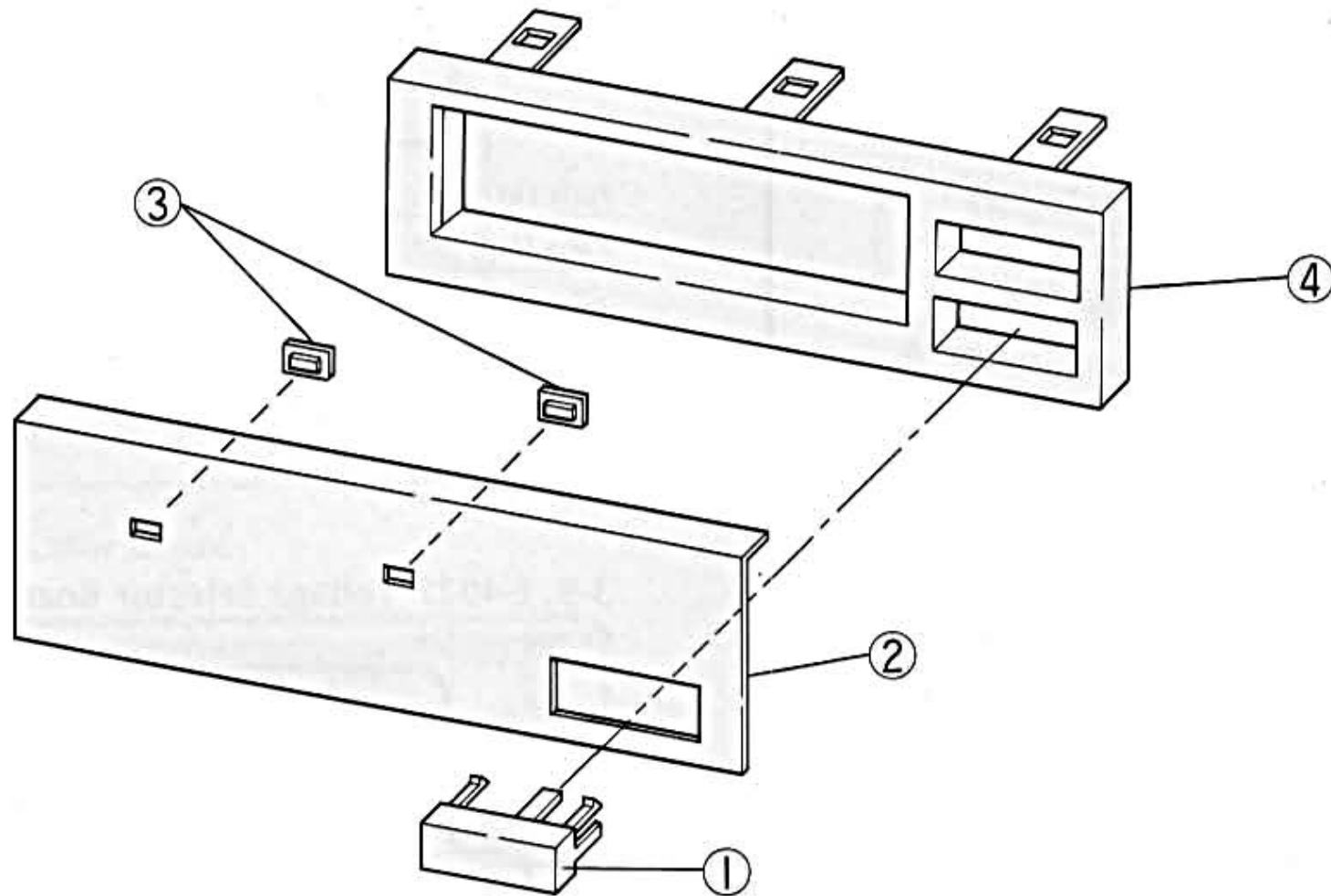
Parts List

Parts No.	Stock No.	Description
• IC		
fIC1	48158400	μPD7507C-114
• Diode		
fD1	46852000	RLS-73 (Chip)
fJW8,9,11 ~ 13	46741100	Cross Conductor (Chip)
fR2	46750000	10 KΩ 1/8W Chip R.
fR3	46750000	10 KΩ 1/8W Chip R.
fR4	46750000	10 KΩ 1/8W Chip R.
fR10	46750000	10 KΩ 1/8W Chip R.
fR11	46750000	10 KΩ 1/8W Chip R.

Parts No.	Stock No.	Description
fR12	46750000	10 KΩ 1/8W Chip R.
fR13	46750000	10 KΩ 1/8W Chip R.
fR14	46750000	10 KΩ 1/8W Chip R.
fR15	46750600	18 KΩ 1/8W Chip R.
fR16	46752200	82 KΩ 1/8W Chip R.
fR17	46750000	10 KΩ 1/8W Chip R.
fR18	46746000	220 Ω 1/8W Chip R.
fR19	46750000	10 KΩ 1/8W Chip R.
fR20	46750000	10 KΩ 1/8W Chip R.
fR59	46750000	10 KΩ 1/8W Chip R.
fR61	46750000	10 KΩ 1/8W Chip R.
fR63	46750000	10 KΩ 1/8W Chip R.
fR64	46750000	10 KΩ 1/8W Chip R.

4. OTHER PARTS

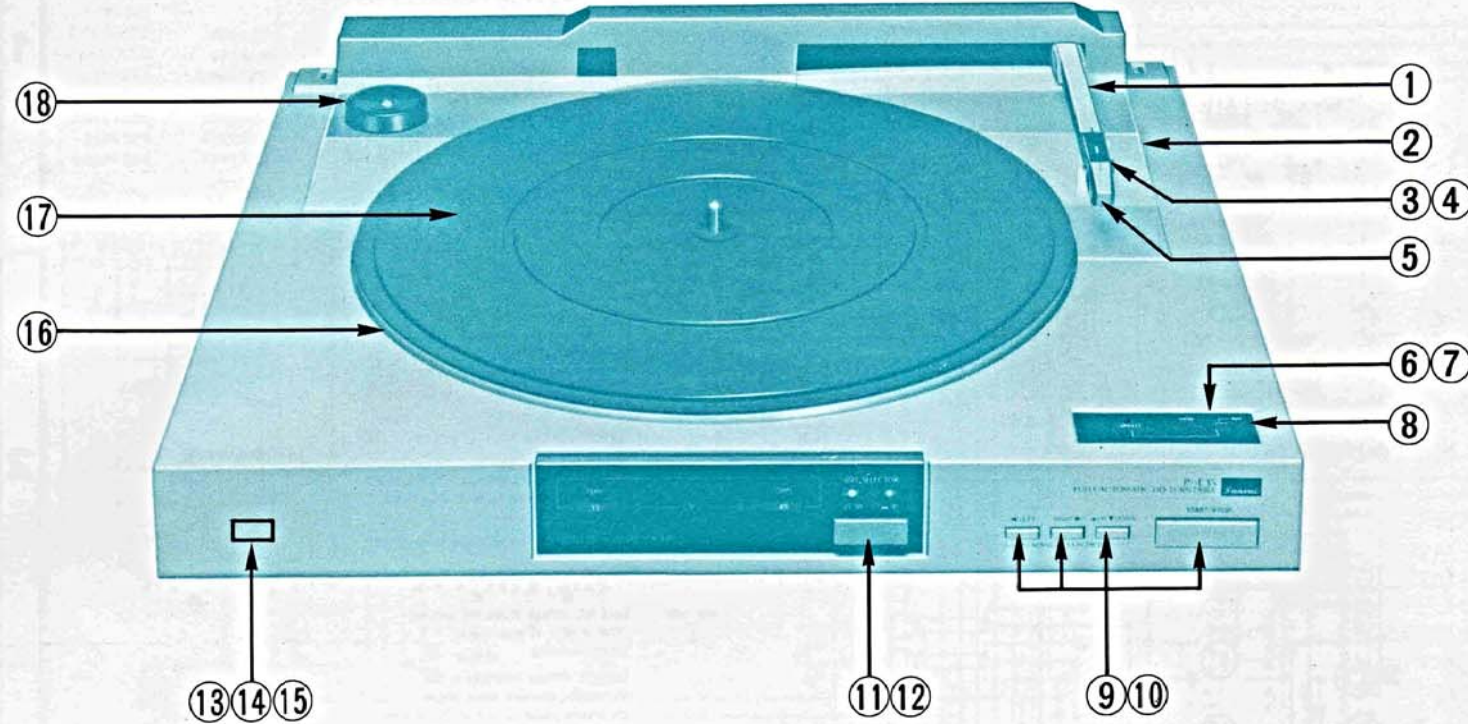
4-1. Display Stage



Parts List

Parts No.	Stock No.	Description
1	47889700	Push knob, SIZE
2	47877100	Dress Plate
3	07737800	Indicator Chip
4	47782900	Display Housing

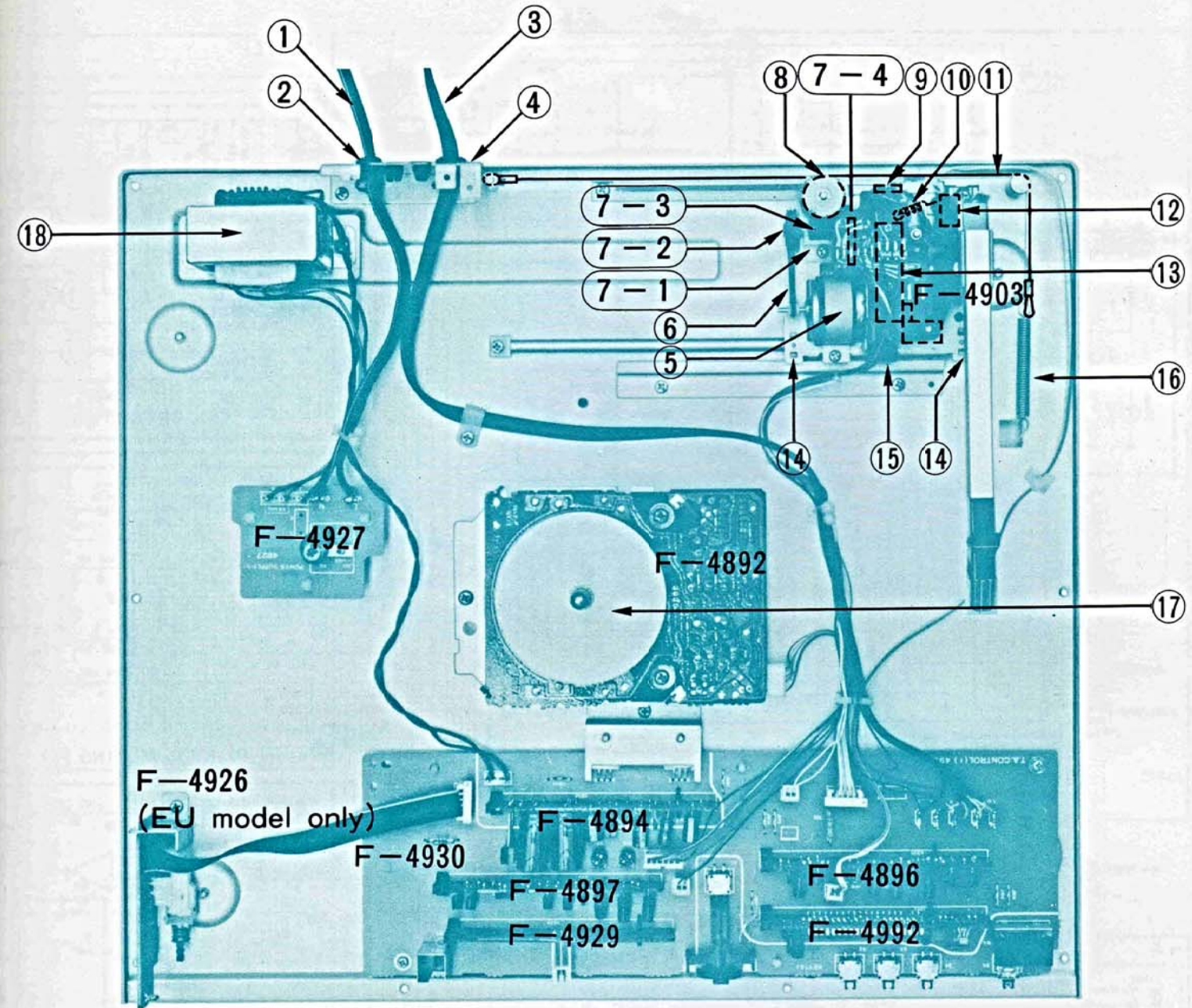
4-2. Front View



Parts List

Parts No.	Stock No.	Description
1	13733100	Tonearm Ass'y
2	47783200	Player Case Cover (Silver Model)
	47783300	Player Case Cover (Black Model)
3	13283300	SV-P313 Cartridge Ass'y
4	13233500	Cartridge Fixing Screw Ass'y
5	13283400	SN-P313 Stylus
6	47766700	Slide knob, SPEED
7	46133600	Slide SW., SPEED
8	47782100	Switch Plate, SPEED
9	47767300	Push Knob Ass'y (Silver Model)
		START/STOP, MANUAL CONTROL
	47799300	Push Knob Ass'y (Black Model),
		START/STOP, MANUAL CONTROL
10	46395900	Push SW., START/STOP, UP/DOWN, RIGHT, LEFT
11	47835400	Push Plate, SIZE
12	48177500	Push SW., SIZE
13	47747000	Push Knob (Silver Model), POWER <EU only>
	47747100	Push Knob (Black Model), POWER <EU only>
14	47766600	Push shaft, POWER <EU only>
△ 15	48175900	Push SW., POWER <EU only>
16	13159710	Platter
17	13099110	Rubber Mat (XX,CSA,EU,BS,AS)
	13099510	Rubber Mat (UL)
18	13012300	EP Adaptor
	13145100	Insulator

4-3. Top View

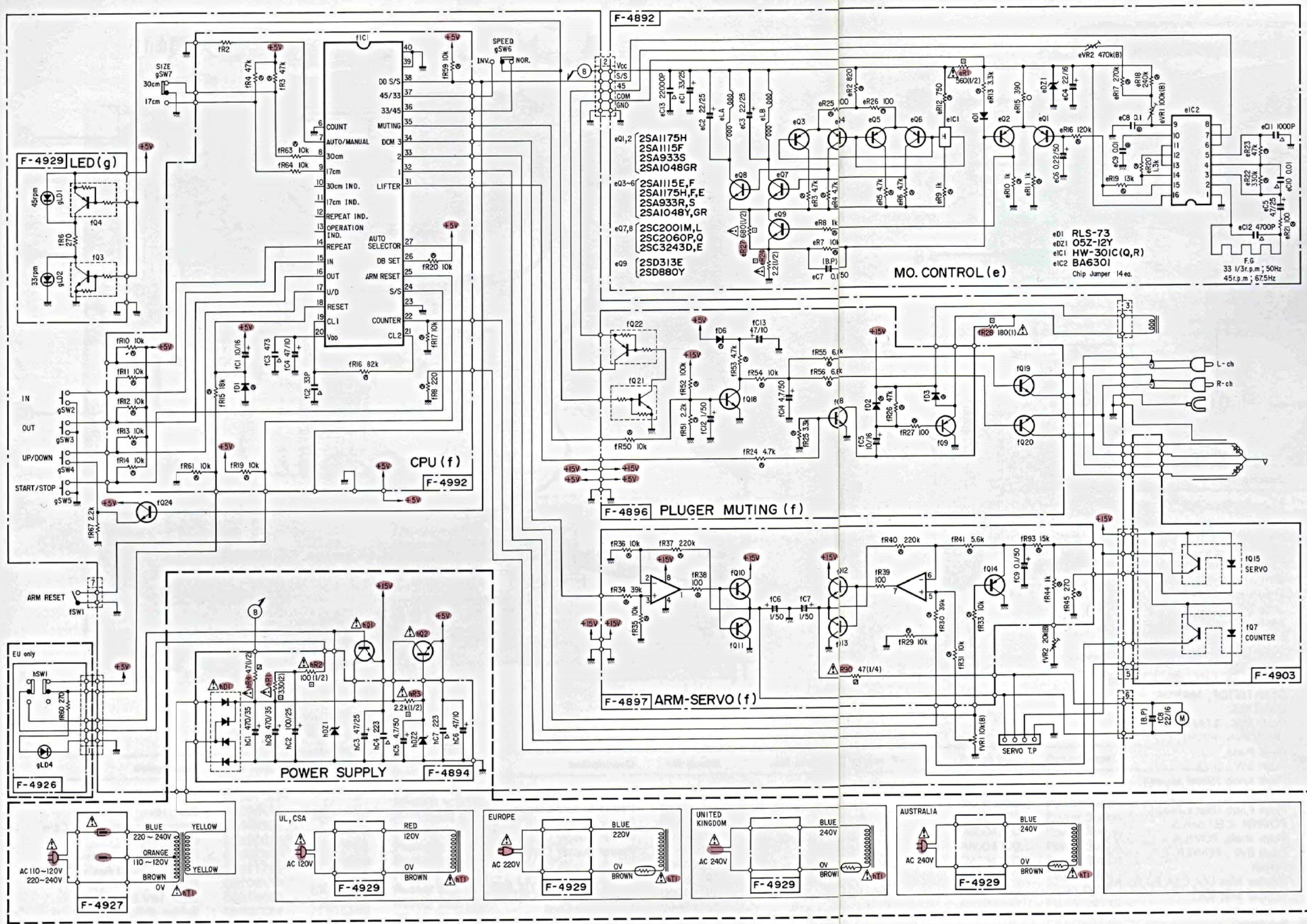


Parts List

Parts No.	Stock No.	Description	Parts No.	Stock No.	Description
△ 1	46413200	Power Supply Cord (XX)	8	13215810	Drive Gear
△ 1	38004700	Power Supply Cord (UL)	9	47750200	Bush (B)
△ 1	48187400	Power Supply Cord (CSA)	10	13280510	Spring, Lead-in Adjust Cam
△ 1	38004500	Power Supply Cord (EU)	11	47802300	Drive Wire
△ 1	38004300	Power Supply Cord (BS)	12	46926900	Micro SW., Arm Reset
△ 1	07204200	Power Supply Cord (AS)	13	48172610	Lifter Solenoid Ass'y
2	39106000	Strain Relief (XX,UL)	14	47750100	Bush (A)
	39104900	Strain Relief (CSA,EU,BS,AS)	15	48097800	22μF 16V E.B.
3	48185600	PU Output Cord (XX,CSA,EU,BS,AS)	16	13220500	Spring, Drive Wire
	48185700	PU Output Cord (UL)	17	18100000	DD Motor Ass'y with F-4892
4	39104900	Strain Relief	△ 18	15020901	Power Transformer (XX)
5	48170210	Tonearm Control Motor	△ 18	15020902	Power Transformer (UL,CSA)
6	13103810	Belt	△ 18	15020905	Power Transformer (EU,BS,AS)
7	13733800	Worm Gear ⊕ Ass'y			
7-1		Bearing, Worm Gear			
7-2		Pulley (A)			
7-3		Worm Gear			
7-4		Slit Plate			

5. SCHEMATIC DIAGRAM

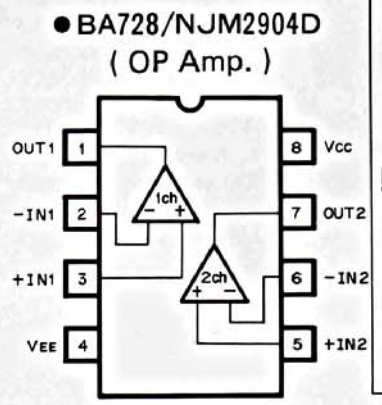
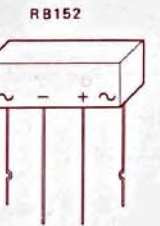
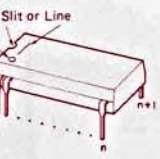
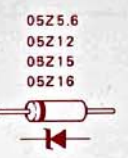
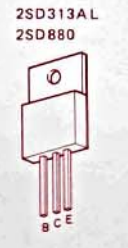
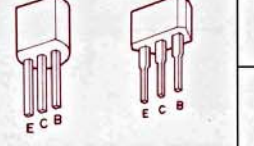
• Design and specifications subject to change without notice for improvement.
 • La présentation et les spécifications sont susceptibles d'être modifiées sans préavis par suites d'améliorations éventuelles.
 • Änderungen, die dem technischen Fortschritt dienen, bleiben vorbehalten.



- SYMBOL**
- △ Ceramic
 - △ T Ceramic (Temperature Compensation)
 - △ F Ceramic (Feed Through)
 - Bi-Leak Electrolytic
 - (B.P) Bi-Polar Electrolytic
 - ⊖ (B.P) Low-Leak Bi-Polar Electrolytic
 - (Ta) Tantalum Electrolytic
 - ⊙ Film
 - ⊙ (M) Mylar
 - ⊙ (P.C) Polycarbonate
 - ⊙ (P.P) Polypropylene
 - ⊙ Metallized Paper
 - ⊙ Polystyrene
 - ⊙ Gimmic
 - ⊙ Mica
 - Oil
 - ⊙ Fusing Resistor
 - ⊙ Non-Inflammable Resistor
 - ⊙ Metal Film Resistor
 - ⊙ Cement Resistor
 - ⊙ Non-Inductive Cement Resistor
- is Safety Part.**
 Use only replacement parts recommended by the manufacturer.
- RESISTORS**
 Are in ohms, 1/4 Watts, ± 5% Tolerance Unless Otherwise Noted. k: kΩ, M: MΩ
- CAPACITORS**
 Are in μF, Unless Otherwise Noted. P: pF
- TOLERANCE**
 J: ± 5%, G: ± 2%, F: ± 1%
- Each D.C. Voltage shows the nominal value in volts at input signal during recording
- Each D.C. Voltage measured by the instruments described below shows the nominal value in volts at 33 1/3 r.p.m. Measuring instruments:
 Volt Meter D.C. 20kΩ/V, A.C. 1kΩ/V
 Oscilloscope 5MHz
- Electrolytic Capacitor
 Capacitance (μF) / Volt (V)

- nD1 RB152
 - nD21 05Z16-X, 05Z15-Z
 - nD2 05Z5.6-Y, 05Z5.6-X
 - nD1,2 2SD318AL(E,F)
 - 2SD880(Y,GR)
 - 101-3,6 RLS-73 Chip
 - 1C1 μPD7507-114
 - 1C2 BA728, NJM2904D
 - 1D1 GL-520
 - 101,2 TPS605
 - 103,21 DTC114YS
 - 104,22 DTA114YS
 - 107 GP-1504
 - 108 2SC2603(E,F,G)
 - 109,11 2SA934(P,Q,R)
 - 13 2SA1283(D,E)
 - 2SA952(M,L)
 - 109,12 2SC2060(P,Q,R)
 - 2SC3243(D,E)
 - 2SC2001(M,L)
 - 1014 2SA1115(E,F)
 - 2SA1048(Y,GR)
 - 2SA933S(R,S)
 - 1015 ON1128
 - 1018,24 2SC2603(E,F,G)
 - 2SC2458(Y,GR)
 - 2SC1740S(R,S)
 - 1019,20 2SC2878(A,B)
 - 2SC3327(A,B)
 - 2SD1468S(R,S)
 - gD1,2 TLR123
 - SEL2210
- Chip Jumper 9ea.

- 2SA1048
- 2SA1115
- 2SC2458
- 2SC2603
- 2SA934
- 2SA952
- 2SA1283
- 2SC2001
- 2SC2060
- 2SC2878
- 2SC3243
- DTC114YS
- DTA114YS
- 2SA933S
- 2SA1175
- 2SC1740S
- 2SC2785
- 2SC3243
- 12SD1468S



1

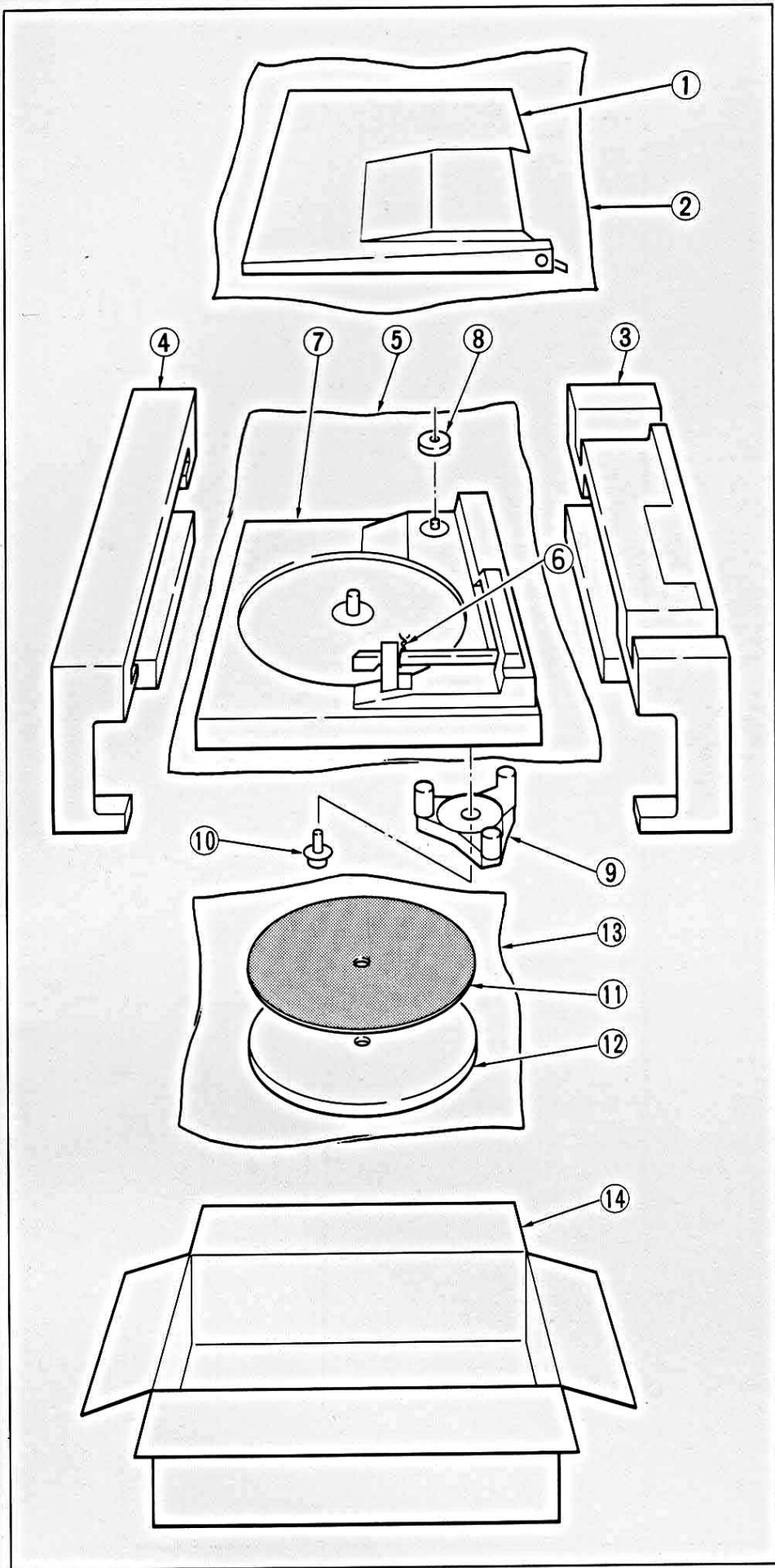
2

3

4

5

6. PACKING LIST



Parts List

Parts No.	Stock No.	Description
1	47767500	Dust Cover Ass'y
1-1	48179600	Hinge Cap (Silver Model)
	13187400	Hinge Cap (Black Model)
1-2	48179700	Hinge (L)
1-3	48179800	Hinge (R)
2		Vinyl Bag, Dust Cover
3	47817100	Styrofoam Packing (Rear)
4	47816900	Styrofoam Packing (Front)
5	91122710	Vinyl Bag, Unit
6		Binder
7		Unit
8	13012300	EP Adaptor
9	47800100	Protector
10	00449700	M4 x 12 Pan Head SEMS Screw
11	13099110	Rubber Mat (XX,CSA,EU,BS,AS)
	13099510	Rubber Mat (UL)
12	13159710	Platter
13		Vinyl Bag, Rubber Mat & Platter
14	47792700	Carton Case (Silver Model with Dust Cover)
	47792900	Carton Case (Black Model with Dust Cover)
	47792500	Carton Case (Silver Model without Dust Cover)
	47792600	Carton Case (Black Model without Dust Cover)

•Note: There exist the following units in P-L35.

1) The unit with cartridge

2) The unit without cartridge

To separate these, the mark (E) is stamped on the carton case for the unit without cartridge.

7. ACCESSORY LIST

Parts List

Parts No.	Stock No.	Description
	46967700	Operating Instruction
	46973600	Caution Sheet <EU only>



SANSUI ELECTRIC CO., LTD.:

SANSUI ELECTRONICS CORPORATION:

SANSUI ELECTRONICS (U.K.) LTD.:
SANSUI ELECTRONICS G.M.B.H.:

14-1, Izumi 2-chome, Suginami-ku, Tokyo 168 Japan
PHONE: (03) 324-8891/TELEX: 232-2076 (International Division)
1250 Valley Brook Ave. Lyndhurst, N.J. 07071 U.S.A.
17150 South Margay Ave. Carson, California 90746 U.S.A.
3036 Koapaka Street, Honolulu, Hawaii 96819 U.S.A.
Unit 10A, Lyon Industrial Estate, Rockware Avenue, Geenford, Middx UB6, OAA, England
Pau Ehrich Strasse 8, 6074 Rödermark 2, West Germany